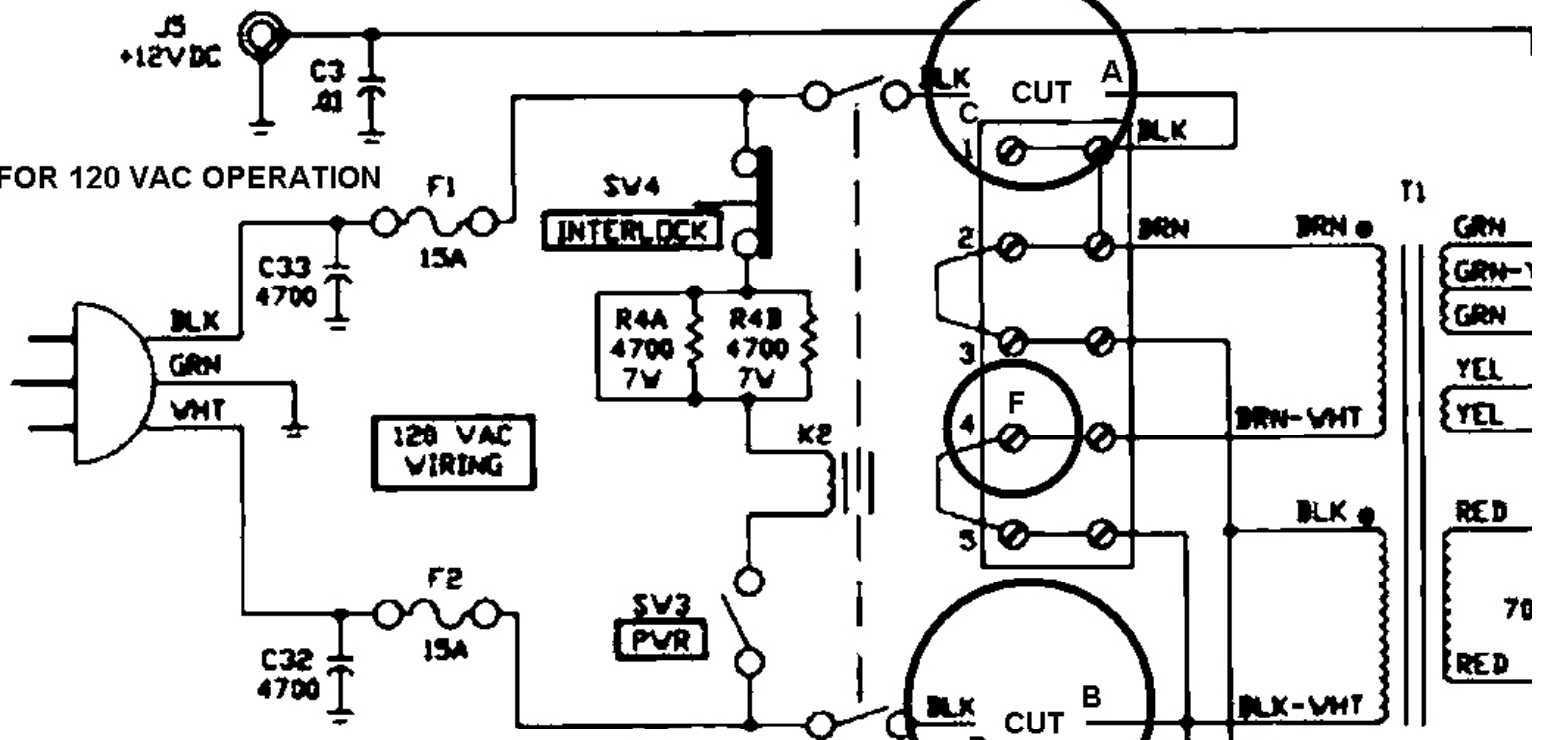


J5  
+12V DC

FOR 120 VAC OPERATION



FOR 240 VAC OPERATION

