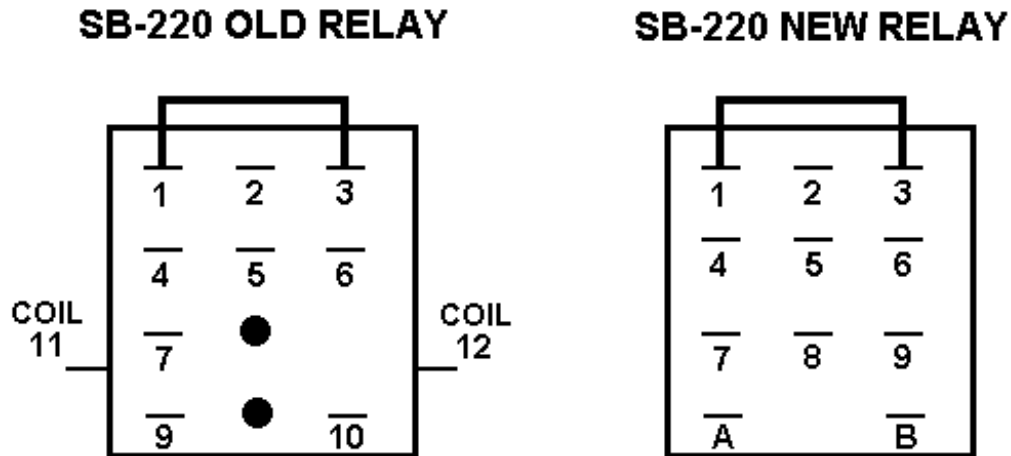


SB-220 REPLACEMENT RELAY CONTACT/WIRING DIAGRAM (VIEWED FROM BACK CONTACTS OF RELAYS)

****NOTE** SOME OLDER SB-220 RELAYS MAY BE WIRED DIFFERENTLY
(PINS 1,4,7 & 2,5,9 FOR RF SWITCHING & PINS 3,6,10 FOR BIAS SWITCHING)**



CONTACT CROSS-MATCHING (NEW = OLD)

1 = 1	2 = 2	3 = 3	4 = 4	
5 = 5	6 = 6	7 = 7	8 = 9	9 = 10
A = COIL 11		B = COIL 12		

NEW RELAY PINOUT

PIN 1	LARGE BARE WIRE TO PIN 3
PIN 2	ONE END OF 100KΩ RESISTOR & SMALL RED WIRE FROM 120VDC SUPPLY & SMALL RED JUMPER WIRE TO PIN B
PIN 3	LARGE BARE WIRE TO PIN 1
PIN 4	SMALL COAX CENTER CONDUCTOR TO TUNED INPUT
PIN 5	LARGE BLACK WIRE TO RECTIFIER/METERING BOARD
PIN 6	LARGE BARE WIRE TO TANK CIRCUIT
PIN 7	SMALL COAX CENTER CONDUCTOR TO RF INPUT JACK
PIN 8	OTHER END OF 100KΩ RESISTOR AND GREEN/YELLOW WIRE TO CENTER TAP OF FILAMENT TRANSFORMER
PIN 9	LARGE COAX CENTER CONDUCTOR TO RF OUT JACK
PIN A	SMALL BLUE WIRE TO ANTENNA RELAY JACK OR TO SK-220 UNIT
PIN B	RED WIRE JUMPER TO PIN 2